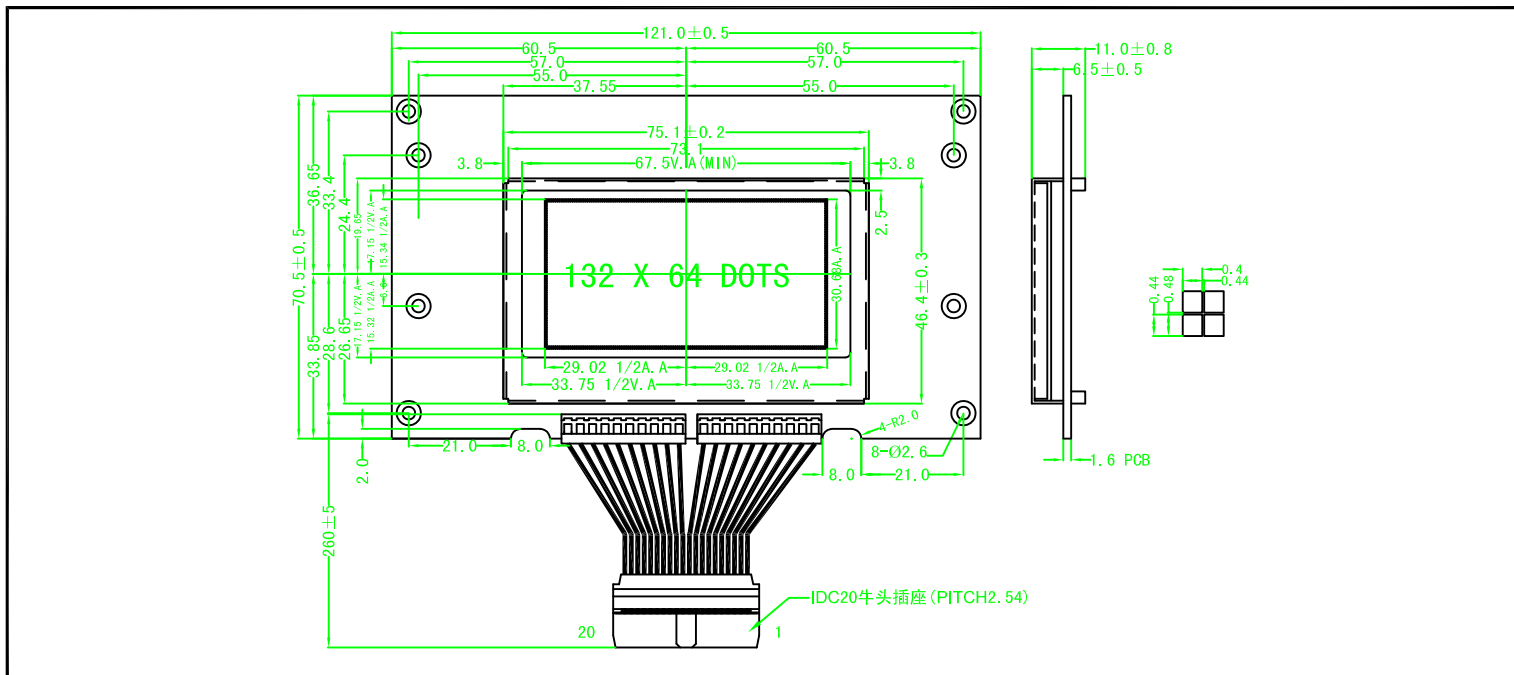
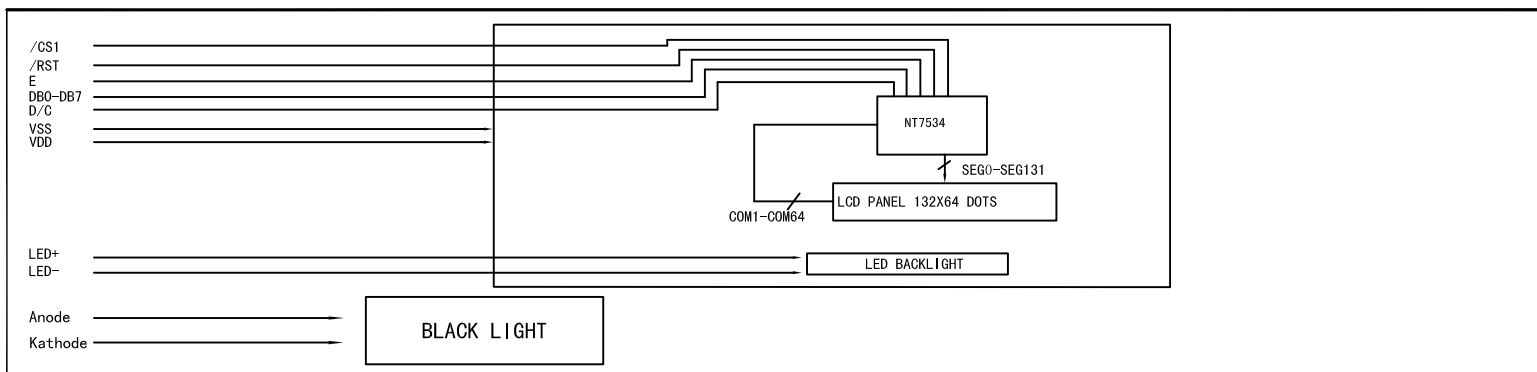


1.0 DIMENSIONAL DRAWING



2.0 BLOCK DIAGRAM & POWER SUPPLY



3.0 MECHANICAL SPECIFICATIONS & FEATURE

Item	Nominal Dimensions (mm)	Feature	
		LCD Type	STN
Module Size (W*H*T)	121.0 × 70.5 × 12.5	LCD Coloure	Y-G
View Area (W*H)	67.5 × 36.8	View Angle	6 O'clock
Dot × Dot (W*H)	132 × 64	Display Type	Positive Type
Dot Pitch (W*H)	0.44 × 0.48	Rear Polarizer	Transmissive
Dot Size (W*H)	0.4 × 0.44	Operating Temperature	-20° C to +70° C
---	---	Storage Temperature	-30° C to +80° C
---	---	Backlight	LED (Green)

4.0 ELECTRICAL CHARACTERISTICS

Item	Symbol	Test Condition	Min.	Typ.	Max.	Unit
Operating Voltage	Vdd	Ta=25° C	---	3.0	---	V
Operating Voltage For LCD	Vlcd	Ta=25° C	---	9.0	---	V
Supply Current	Idd	Ta=25° C, Vdd=3.0V	---	15	---	μA
Supply Current For Backlight	If	Ta=25° C, VAK=3.0V	---	15	---	mA

5.0 INTERFACE PIN CONNECTIONS

Pin No.	Symbol	Level	Description
1	VSS	0V	LCM Power Supply Negative Input Terminal
2	VDD	3.0V	LCM Power Supply Positive Input Terminal
3-4	NC		NOT Connected
5	D/C	H/L	LCM Data/command Signal Input Terminal
6	R/W	H/L	LCM Write/read Signal Input Terminal
7	E	H/L	LCM Enable Signal Input Terminal
8-15	DB0-DB7	H/L	LCM Data Input Terminal
16	/CS1	L	LCM Selection Signal Input Terminal
17-19	NC		NOT Connected
20	A	3.0V	LED Backlight Unit Power Anode Terminal

NOTE: NO